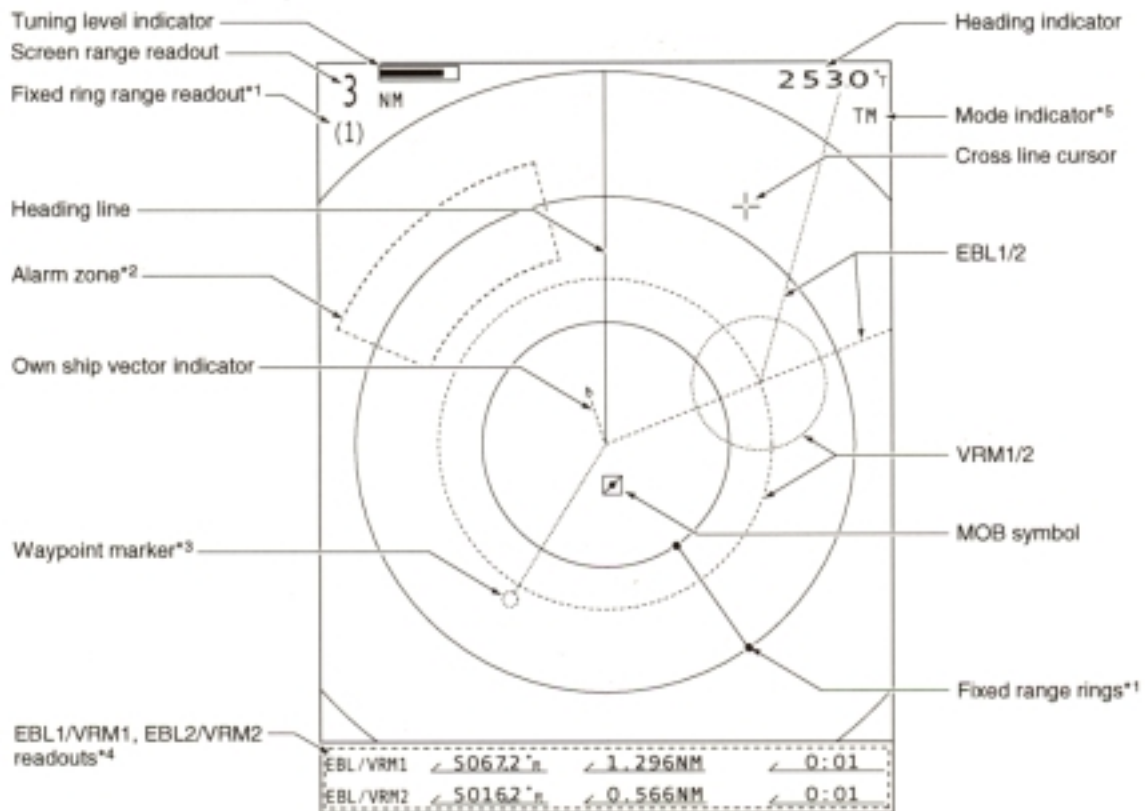


## ■ Display information



\*1 Appears when the "RING" of the FUNCTION menu is turned ON.

\*2 Appears when the alarm function is in use.

\*3 Appears when the "WPT" of the FUNCTION menu is turned ON. To display the waypoint marker, bearing data and NMEA data with 0183 format is necessary.

\*4 This area may differ depending on DATA DISP selection in the FUNCTION menu. Nautical miles (NM) and kilometres (KM) can be selected in the INT.SETTING menu as the distance unit.

\*5 North-up (N UP) and Course-up (C UP) screens require external bearing data. True Motion (TM) screen requires bearing data and LOG or position data.

## ■ BRILL menu

Push [BRILL] to select the brilliance adjustment menu.



## ■ ADJ (Adjust) menu

Push [ADJ] to select the adjustment menu.



## ■ Function menu

Push [MENU] to select the function menu.

FUNCTION			
RING	OFF	ON	
D. RANGE	NAR.	MID.	WIDE
ZONE ALARM	IN	OUT	
EBL/PI	TRUE	360	PT/SB
DATA DISP	OFF	CURS	SHIP WPT
L/L DISP	OFF	ON	
WPT	OFF	ON	
OWN VECT	OFF	ON	
TRAIL TIME	6MIN		
SAVE TIME	15MIN		

## ■ Control functions

### [TX (SAVE)]

Toggles between the TX mode and the standby mode. Turns the power save function ON when pushed and held.

### [HL OFF]

Push [ADJ] and [MENU] simultaneously to turn off all indications except the PPI (Plan Position Indicator) screen, temporarily.

### [ADJ]

Push to show the adjust menu.

### [UP] [DOWN] [RIGHT] [LEFT]

Set the cross line cursor, alarm area, EPA target, etc. according to the switch pushed.

### [+] [-]

Push to increase or decrease the screen range.

### [MOB]

Push to mark the man overboard point on the screen.

### [ALM]

Toggles the alarm function ON and OFF. Enters the alarm area setting condition when pushed and held.

### [EBL1 (VRM1)]

Displays the electronic bearing line 1 (EBL1) and the variable range marker 1 (VRM1) on the cross line cursor position from own ship.

### [POWER]

Turns power ON and OFF.

### [BRILL]

Turns the brilliance adjustment menu ON or OFF.

### [MENU]

Toggles the FUNCTION and EPA menu. Push [^]/[v] keys to select the items and push [<]/[>] keys to change the setting.

### [ZOOM]

Push [MOB] and [TRAILS] simultaneously to toggle the ZOOM function ON and OFF.

### [TRAILS]

Toggles the trail function ON and OFF.

### [OFF CENT]

Push [ALM] and [MODE] simultaneously to turn the OFF CENTER function ON or OFF.

### [MODE]

Push to select one of Head-up (H UP), Course-up (C UP), North-up (N UP) or True motion (TM) screens.

### [PI]

Push [EBL1] and [EBL2] simultaneously to turn the parallel index line ON.  
•Push [EBL1] or [EBL2] to turn the line OFF.

### [EBL2 (VRM2)]

Push to display the electronic bearing line 2 (EBL2) and the variable range marker 2 (VRM2) while EBL1 and VRM1 are displayed on the screen.

### [EPA]

Push to enter the EPA position data.  
Push [EPA] for 0.5 sec. to toggle the EPA display and navigation display.



## ■ EPA menu

Push [MENU] twice to select the EPA menu.

EPA MENU		
EPA	OFF	ON
VECT	TRUE	REL
No. DISP	OFF	SEL ALL
ALARM	OFF	ON
CPA LIMIT	1.0NM	
TCPA LIMIT	10MIN	
INT. SETTING		

## ■ INT. SETTING menu

Push [MENU] twice to select the EPA menu. Push [v] 6 times to select the INT. SETTING menu. Push [>] to enter.

INT. SETTING		
BEEP	OFF	ON
DIST UNIT	NM	KM
BRG	TRUE	MAG
MAG VER	AUTO	MANU.
		0.0° E
BRG INPUT	NMEA	N+1 AUX
SPD INPUT	GPS	LOG
TX INH START	0°	
TX INH ANGLE	0°	
SERVICE MAN		